

# 15 W Horn Loudspeaker EN 54

582479

The high-performance 15 W voice alarm horn loudspeaker provides a broad frequency response range, low distortion and high sound pressure level for accurate and intelligible broadcast of evacuation messages and general announcements. It can be used in outdoor, dry or wet applications, providing reliable operation over wide temperature and humidity ranges. Its low-profile, light grey colour design allows it to blend easily into locations such as plant areas, harbours, factories, campuses and stadiums. This horn loudspeaker complies with BS 5839-8 and BS EN 54-24.

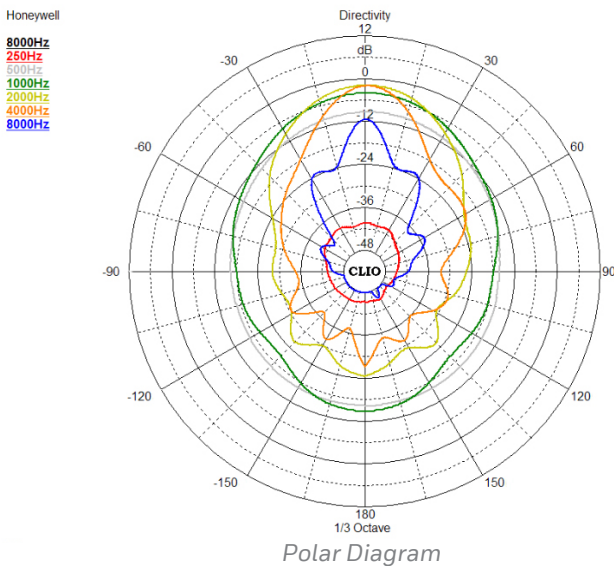


## Mounting

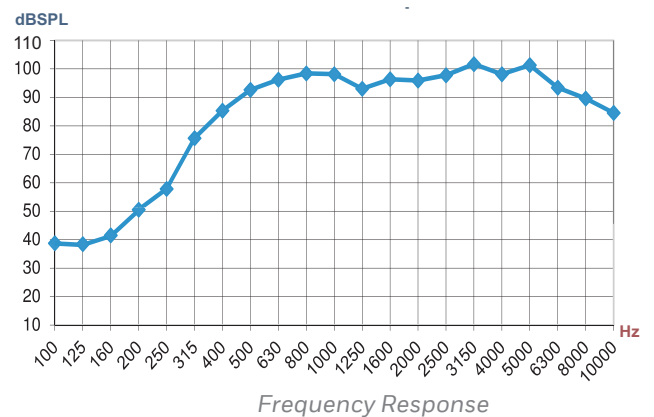
The product can be easily mounted on the wall or a column, with the U-type bracket provided. The projection angle can be adjusted to maximize the coverage in the intended direction. Cabling can be terminated directly into the loudspeaker via removable termination plate removing the need to install a separate junction box.

## Power setting

The loudspeaker is equipped with a rotary switch for easy power tapping of 15 W, 10 W and 5 W.



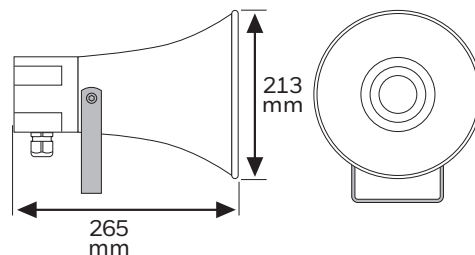
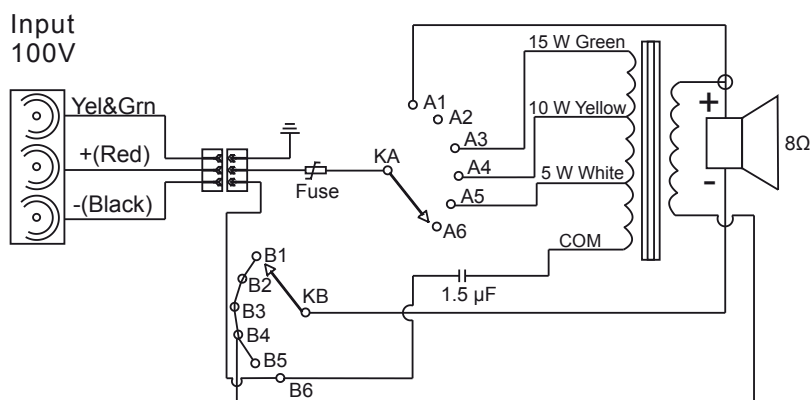
Frequency response at 100 V / 4 m / 1 W, 1/3 oct. smoothing



## FEATURES

- Intelligible voice and superior sound reproduction
- High-strength UV resistive UL94V0 ABS housing
- Direct cable termination into loudspeaker without the need for a junction box
- IP 66 rated
- BS EN 54-24 certified
- BS 5839-8 compliant

# 582479 Technical Specifications



Frequency response Active equaliser applied

PARAMETERS	VALUES
Rated Power	15 W
Transformer Power Taps	15 W / 10 W / 5 W
Rated Impedance	0.667 Ω / 1 Ω / 2 kΩ
Sensitivity EN 54-24, 1 W / 1 M	105 dB
Sensitivity EN 54-24, Max 1 M	117 dB
Transmission Range	300 Hz -16 kHz
Dispersion Angle	124° (H) / 143° (V) @ 1 kHz
Ambient Temperature	-25 °C - 55 °C
Storage Temperature	-40 °C - 70 °C
Material	ABS
Colour Light	grey, similar to RAL 7035
Weight	2.05 kg
IP Rating	IP 66

## ORDERING INFORMATION

15 Watt Horn Loudspeaker	582479
--------------------------	--------

### For more information

[www.honeywellvoicealarm.com](http://www.honeywellvoicealarm.com)

### Honeywell

140 Waterside Road  
Hamilton Industrial Park  
Leicester  
LE5 1TN, UK  
Tel: +44 (0)203 409 1779  
[hlsuksalesupport@honeywell.com](mailto:hlsuksalesupport@honeywell.com)

Honeywell reserves the right, without notification, to make changes in product design or specifications.

HSF-L\_VHP15A-01-UK(0519)DS-E  
May 2019  
© 2019 Honeywell International Inc.

**Honeywell**